

BACnet and MODBUS Remote Modules

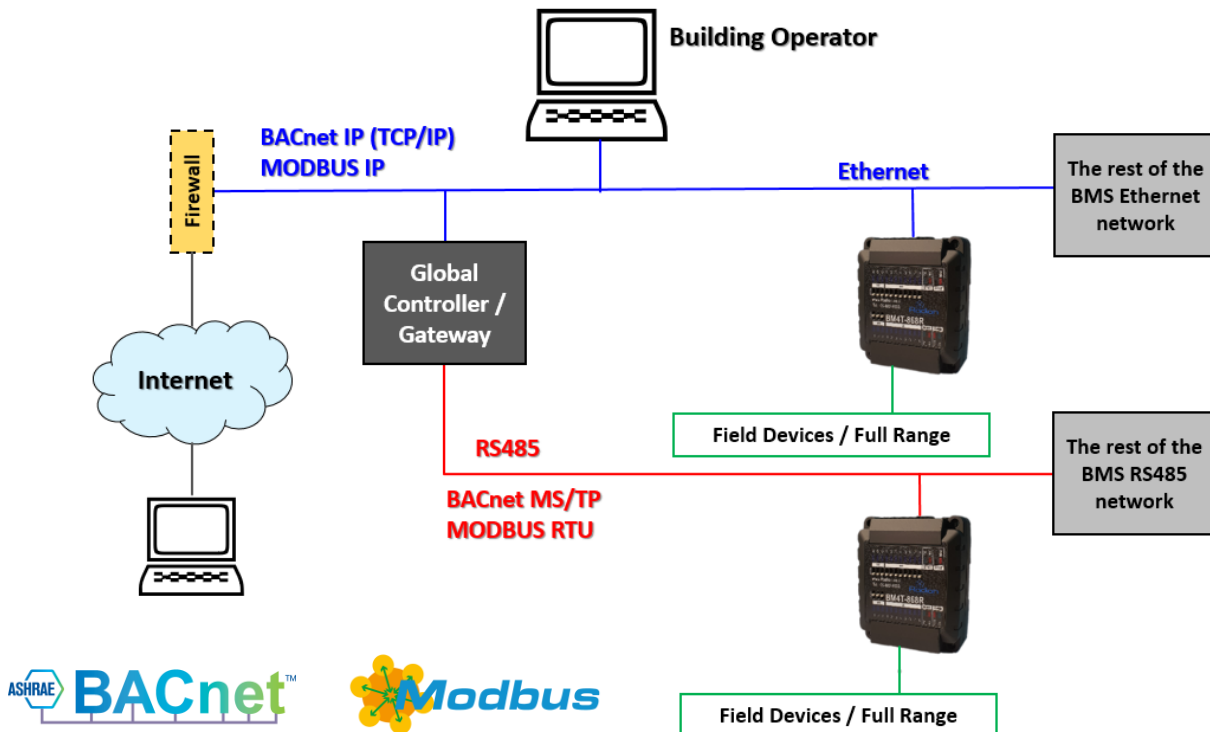
The BM4T General-Purpose modules add input/output expansion space for building automation systems.

BM4T-868R support both BACnet and Modbus over both RS485 and the Ethernet ports. All settings are available as BACnet objects and Modbus registers.

BM4T-868R

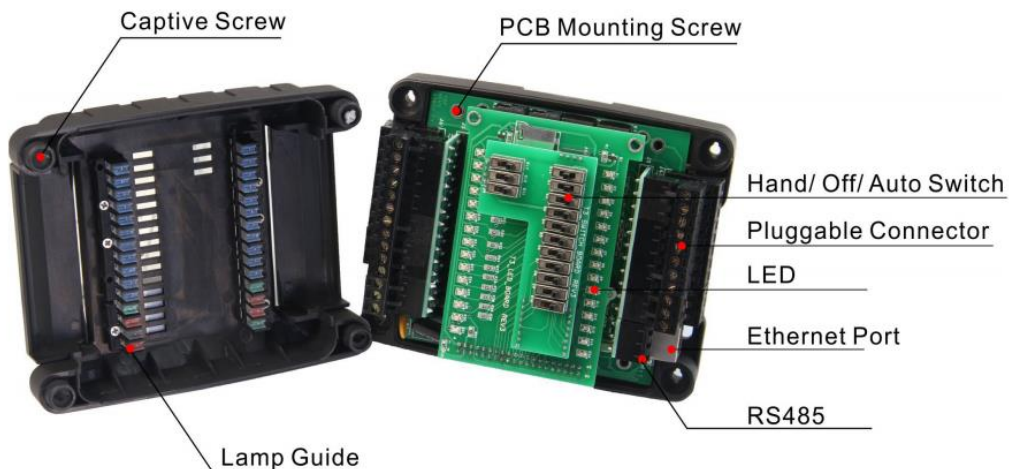


System Overview

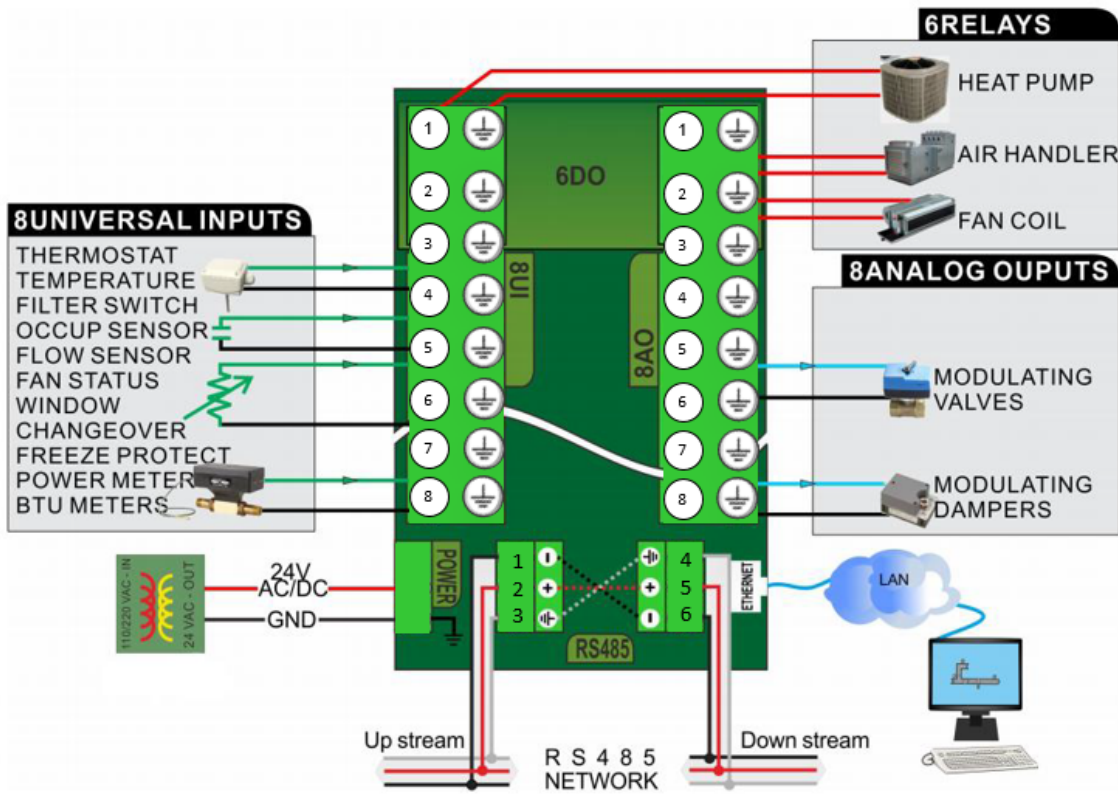


Features	Specifications
<ul style="list-style-type: none"> ❖ Surge-protected Universal Inputs with 10-bit resolution. ❖ UL listed ABS enclosure with rubberized texture creates a high-end feel. ❖ The RS485 port has separate upstream and downstream connectors to make troubleshooting easier. ❖ Software configure the I/O ranges with a free software or by writing to the registers with your own software. ❖ Each output has a Hand-Off-Auto switch for easy troubleshooting and overrides. ❖ Baud Rates: 9600, 19200, 38400, 57600,76800 and 115200 bps. ❖ The BM4T modules support BACnet over MSTP and TCP/IP as well as Modbus RTU and TCP/IP ❖ In the first 10 seconds period, heartbeat LED on the BM4T-868R will be flashing, in the rhythm of 2 fast 1 slow, to show the device is in ISP mode now. 	<ul style="list-style-type: none"> ❖ BM4T-868R Analog input: 8 AI @ 0-5V, 0-10V, 4-20mA,10K Type2 NTC. ❖ BM4T-868R Digital input: DI @ pulse counter ❖ BM4T-868R Analog output: 8 outputs @ 0-10V Accuracy: 0.01V ❖ BM4T-868R Relay output: 6 relay dry-contact outputs DC12V, 3A@125VDC ❖ Baud Rate: 9600, 19200, 38400, 57600, 76800,115200 ❖ Operating temperature: -30~70°C (-22~158°F) ❖ Supply voltage: 15~24VAC/DC ±10%, 5060Hz ❖ Power consumption: 100mA at 15~24VAC/ DC ❖ Storage temperature: -40~85°C ❖ Operating ambient humidity: 0-80 %Rh ❖ Communications: RS485, Ethernet ❖ Enclosure color: Black

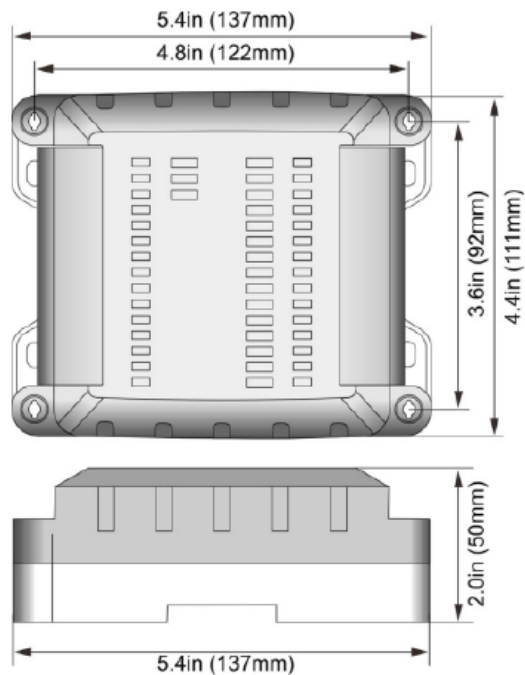
Highlights :



Connection diagram for BM4T-868R:

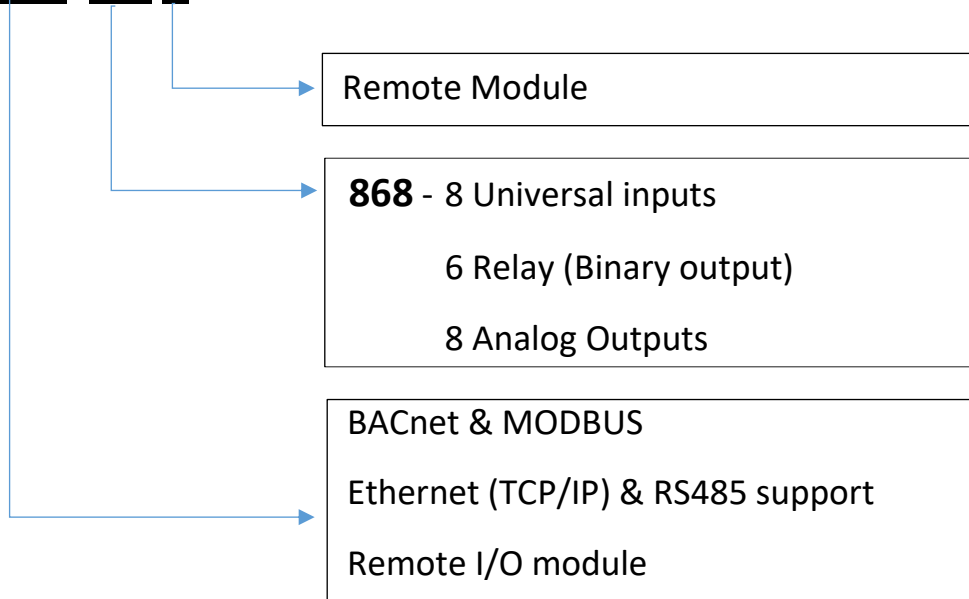


Dimensions:



Part Number Scheme:

BM4T - ### R



Approvals

Plastic Enclosure	PA66
FCB	FR-4 Epoxy Glass Cloth UL File No. E365137
Terminal Block	PA66 UL File No. E365137
Relay	UL File No. E332982



Radion Engineering is ISO 9001-2015 certified since 1999

Radion Engineering Co. Ltd.

Tel: 972-3-9371645 E-mail: control@radion.co.il 11 Ha'sivim St. P.O.B 7111 Petah-Tikvah 4959372 ISRAEL

www.radion.co.il